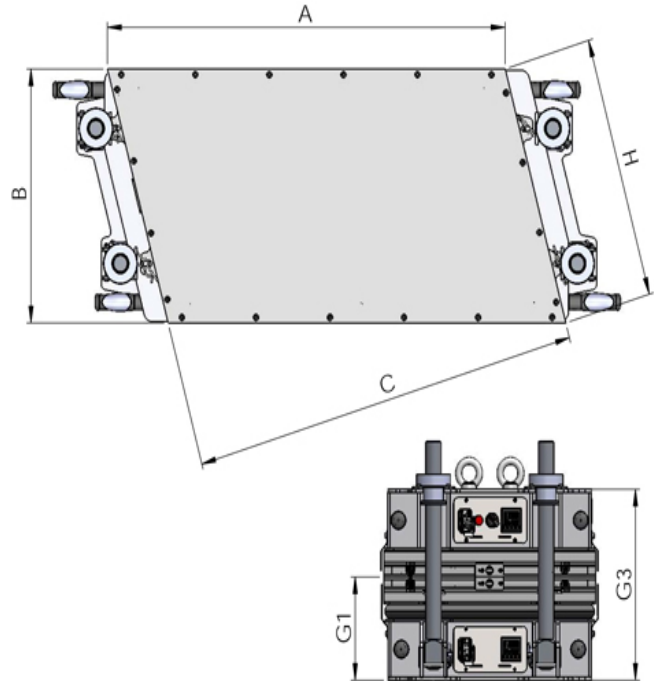
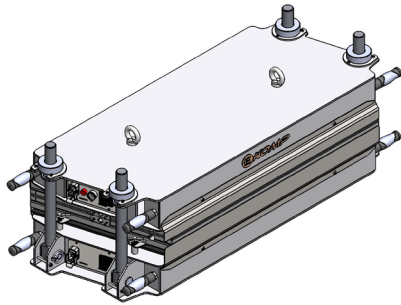


E-Komp

Vulcanizers for Rubber Conveyor Belts > Portable presses > Water-cooled



Material	Aluminium
Pressure	Airbag lower frame 7 Bar (100PSI)
Heating	Silicone Heating elements 185°C Max.
Cooling	Water
Belt width	Up to 1600mm
Platen Length	364mm-520mm-624mm- 728mm-832mm-1664mm
Angle	16° - 22° - 90°

Technical data in millimeters correspond to the 16° models. The weight of the bottom frame includes platen, pressure bag and bolts. The weight of the top one includes the platen. The total weight includes both the two full frames.

Model	Belt mm	G1 mm	G3 mm	A mm	B mm	C mm	H mm	Lower frame weight Kg	Upper frame weight Kg	Platen weight Kg	Total weight Kg
E-Komp 650x350	650	192	353	780	350	750	364	32	24	25	113
E-Komp 800x350	800	201	373	940	350	904	364	36	29	29	131
E-Komp 1000x350	1000	217	404	1145	350	1101	364	44	36	38	164
E-Komp 1200x350	1200	238	446	1355	350	1303	364	58	49	44	207
E-Komp 1400x350	1400	302	573	1560	350	1500	364	90	76	47	278
E-Komp 1600x350	1600	307	548	1770	350	1701	364	118	98	49	338
E-Komp 650x500	650	203	377	780	500	750	520	39	32	33	148
E-Komp 800x500	800	212	395	940	500	904	520	45	38	41	175
E-Komp 1000x500	1000	218	408	1145	500	1101	520	56	48	52	225
E-Komp 1200x500	1200	255	481	1355	500	1303	520	67	58	61	265
E-Komp 1400x500	1400	289	548	1560	500	1500	520	86	68	79	325
E-Komp 1600x500	1600	304	578	1770	500	1701	520	99	81	78	350
E-Komp 650x600	650	212	394	780	600	750	624	41	34	40	162
E-Komp 800x600	800	219	407	940	600	904	624	49	41	51	207
E-Komp 1000x600	1000	233	437	1145	600	1101	624	64	57	66	267
E-Komp 1200x600	1200	268	507	1355	600	1303	624	79	66	78	318
E-Komp 1400x600	1400	294	557	1560	600	1500	624	98	82	94	395
E-Komp 1600x600	1600	314	598	1770	600	1701	624	116	100	108	450
E-Komp 1000x700	1000	263	496	1145	700	1101	728	81	62	77	308
E-Komp 1200x700	1200	294	558	1355	700	1303	728	98	78	95	381
E-Komp 1400x700	1400	314	598	1560	700	1500	728	135	120	114	510

The technical data shown are subject to change without notice.