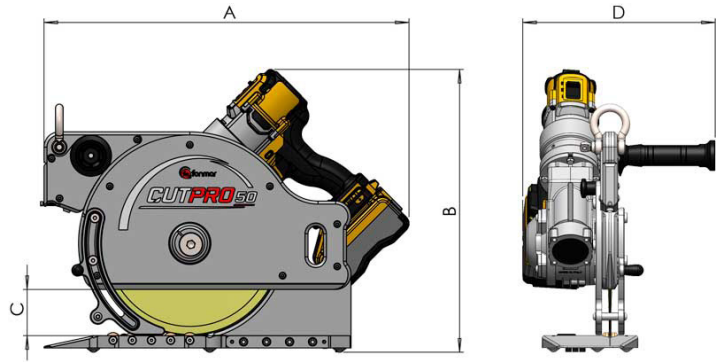
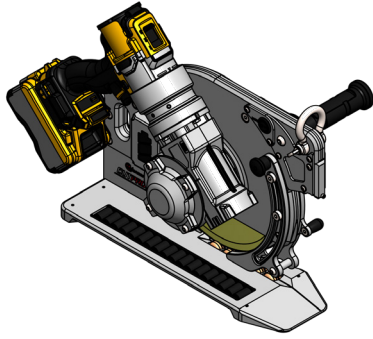


CUTPRO 50

Tools for rubber conveyor belts > Belt Cutter



Belt thickness	Up to 51mm
Cutting disc	AISI-D Steel

	A	B	C	D	Total weight
Model	mm	mm	mm	mm	Kg
CUTPRO 50	475	370	60	250	11,5

The technical data shown are subject to change without notice.