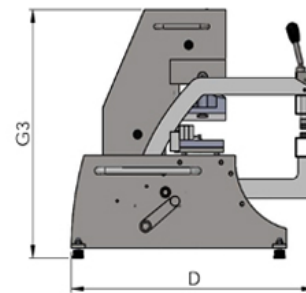
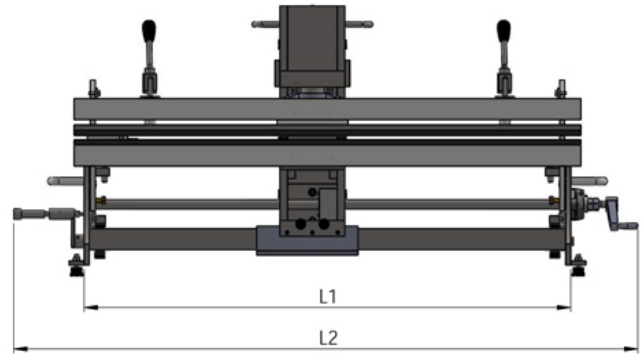
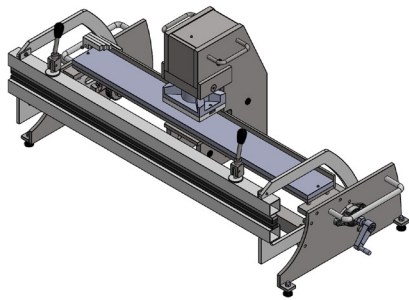


Punching Machine TP

Presses for PVC/PU Conveyor Belts > Belt preparation



Material	Frame - Steel Nylon - Nylatrón Blades - Steel
Hydraulic Pressure	300 Bar (4351PSI)
Nylon	140x100mm
Blades/Knives	80x12 50x20 (other ones upon request)

Model	G3 mm	D mm	L1 mm	L2 mm	Hydraulic head weight Kg	Frame weight Kg	Total weight Kg
TP 600	512	524	760	1031	30	28	58
TP 800	512	524	960	1231	30	35	65
TP 1000	512	524	1160	1431	30	40	70
TP 1200	512	524	1360	1631	30	48	78
TP 1600	512	524	1760	2031	30	66	96
TP 1800	512	524	1960	2231	30	73	103
TP 2000	512	524	2160	2431	30	80	110
TP 2200	512	524	2360	2631	30	88	118
TP 2400	512	524	2560	2831	30	96	126
TP 2600	512	524	2760	3031	30	104	134
TP 2800	512	524	2960	3231	30	112	142
TP 3000	512	524	3160	3431	30	120	150

The technical data shown are subject to change without notice.