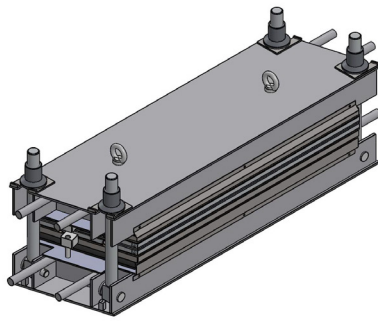
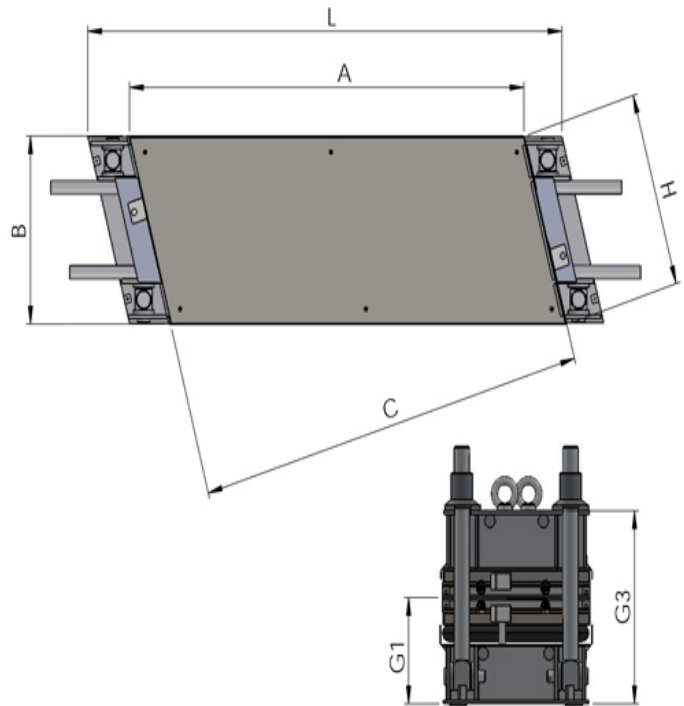


# Komp

Vulcanizers for Rubber Conveyor Belts > Portable presses > Water-cooled



Material	Aluminium
Pressure	Airbag lower frame 7 Bar (100PSI)
Heating	Heating element 185°C Max.
Cooling	Water
Belt width	Up to 1600mm
Platen Length	364mm-520mm-624mm- 728mm-832mm-1664mm
Angle	16° - 22° - 90°



Technical data correspond to the 16° models. The weight of the lower frame includes the bolts and the pins. The total weight includes the 2 heating platens and the pressure bag.

Model	Belt mm	G1 mm	G3 mm	A mm	B mm	C mm	H mm	L mm	Lower frame weight Kg	Upper frame weight Kg	Platen weight Kg	Total weight Kg
Komp 650x350	650	181	332	780	350	750	364	960	29.4	21.5	19.88	95.51
Komp 800x350	800	191	352	940	350	904	364	1120	35.3	26	22	109
Komp 1000x350	1000	201	372	1145	350	1101	364	1325	41.5	31.5	30.5	142.5
Komp 1200x350	1200	226	422	1355	350	1303	364	1535	53.0	40	36	175
Komp 1400x350	1400	246	462	1560	350	1500	364	1740	62.8	38.64	39.77	190.68
Komp 1600x350	1600	271	512	1770	350	1701	364	1950	79.1	59.13	45.12	239.52
Komp 650x500	650	186	342	780	500	750	520	960	36.7	28.34	28.41	128.79
Komp 800x500	800	201	372	940	500	904	520	1120	44.5	34.5	28	143.1
Komp 1000x500	1000	206	382	1145	500	1101	520	1325	52.2	40.6	41.7	186
Komp 1200x500	1200	241	452	1355	500	1303	520	1535	68.0	54.34	49.35	233.08
Komp 1400x500	1400	271	512	1560	500	1500	520	1760	86.4	67	56.5	281.92
Komp 1600x500	1600	321	612	1770	500	1701	520	1970	114.0	89	64.46	347.69
Komp 650x600	650	191	352	780	600	750	624	960	42.5	32.4	34.09	151.38
Komp 800x600	800	206	382	940	600	904	624	1120	48.6	38	42	180.2
Komp 1000x600	1000	211	392	1145	600	1101	624	1325	56.7	44.5	49	211.5
Komp 1200x600	1200	251	472	1355	600	1303	624	1535	76.8	61	59	279.5
Komp 1400x600	1400	281	532	1560	600	1500	624	1760	100.0	88	70	343
Komp 1600x600	1600	331	632	1770	600	1701	624	1970	126.8	100.77	77.35	401.24
Komp 1000x700	1000	251	472	1145	700	1101	728	1345	81.2	69.05	58.38	281.3
Komp 1200x700	1200	281	532	1355	700	1303	728	1555	101.7	88.27	69.09	345.08
Komp 1400x700	1400	301	572	1560	700	1500	728	1760	121.0	106.42	79.54	405.93
Komp 1600x800	1600	339	645	1770	800	1701	832	2171	197	185	105	612
Komp 1800x1600	1800	490	950	2040	1600	1961	2400	1664	864	804	330	2900

The technical data shown are subject to change without notice.