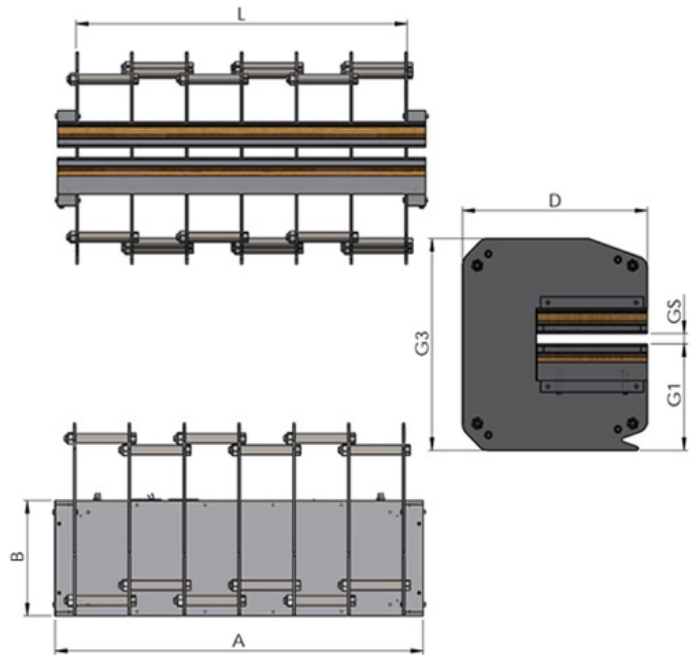
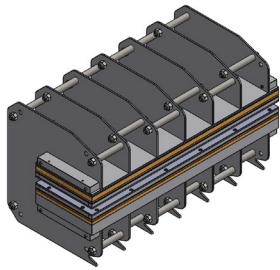


# REPLA

Presses for Rubber Conveyor Belts > Workshop



Material	Aluminium
Heating	185°C Max.
Pressure	Pressure bag 7 Bar (100PSI)
Cooling	Water
Repairable area	1400x200mm 1000x300mm

Model	G1 mm	GS mm	G3 mm	A mm	B mm	D mm	L mm	Total weight Kg
Repla 1400x200	229	15	442	1400	200	382	1398	97
Repla 1000x300	277	27	551	1000	300	502	900	106

The technical data shown are subject to change without notice.